

*revised
c.1*

FM 31-18

DEPARTMENT OF THE ARMY FIELD MANUAL

*ResL/Pam 25-30
31 march 1988*

LONG-RANGE RECONNAISSANCE PATROL COMPANY



HEADQUARTERS, DEPARTMENT OF THE ARMY
AUGUST 1968

FIELD MANUAL }
 No. 31-18 }

HEADQUARTERS
 DEPARTMENT OF THE ARMY
 WASHINGTON, D.C., 23 August 1968

LONG-RANGE RECONNAISSANCE PATROL COMPANY

CHAPTER		Paragraph	Page
1.	INTRODUCTION		
	Purpose	1-1	3
	Scope	1-2	3
	Terminology	1-3	3
2.	GENERAL		
	Mission	2-1	5
	Function	2-2	5
	Organization	2-3	5
	Capabilities	2-4	7
	Limitations	2-5	7
	Training	2-6	8
	Signal communications	2-7	8
3.	PLANNING AND PREPARATION		
	General	3-1	12
	Planning and preparation	3-2	12
	Coordination	3-3	13
	Control	3-4	14
	Combat support	3-5	14
	Combat service support	3-6	15
	Security	3-7	15
4.	CONDUCT OF OPERATIONS		
	General	4-1	16
	Reconnaissance and surveillance	4-2	16
	Target acquisition	4-3	17
	Tactical Damage assessment and CBR monitoring	4-4	17
	Operational environments	4-5	17
	Methods of patrol delivery	4-6	18
	Patrol recovery	4-7	19
	Debriefing	4-8	19
	Planning and operation of provisional LRRP	4-9	20
5.	STABILITY OPERATIONS		
	General	5-1	21
	Planning concepts	5-2	21
	Preparation and coordination	5-3	21
	LRRP operations	5-4	22
	Post mission activities	5-5	23
	Combat support	5-6	23
	Combat service support	5-7	24
	Security	5-8	24
	Provisional LRRP	5-9	24
APPENDIX A.	REFERENCES		25
B.	PATROL STEPS		27
C.	LRRP SOP		28

*This manual supersedes FM 31-18, 13 January 1965.

PAGO 5668A

CHAPTER 1

INTRODUCTION

1-1. Purpose

This manual contains doctrine for the employment of the TOE field army and corps long-range reconnaissance patrol (LRRP) companies and those modified TOE (MTOE) and provisional LRRP units formed by divisions and separate brigades. It is designed for use by field army, corps, division, and separate brigade commanders, and members of LRRP units.

1-2. Scope

a. The material contained herein provides information on the mission, organization, and equipment, capabilities and limitations, planning, training, and operations for organizational and provisional LRRP units. Except where specified otherwise, the TOE LRRP company is used to illustrate principles and procedures. MTOE and provisional LRRP units can adapt these methods to their particular situation, where appropriate. This manual applies to nuclear and nonnuclear warfare; employment of, and protection from, CBR agents; and stability operations.

b. This manual is intended for use with other manuals (app A). It contains doctrine that is common to all areas of operations.

c. Users of this manual are encouraged to submit recommendations to improve its clarity or accuracy. Comments should be keyed to the specific page, paragraph, and line of the text in which the change is recommended. Reasons should be provided for each comment to insure understanding and complete evaluation. Comments should be forwarded direct to Commanding Officer, United States Army Combat

Developments Command Infantry Agency, Fort Benning, Georgia 31905. Originators of proposed changes which would constitute a significant modification of approved Army doctrine may send an information copy, through command channels, to the Commanding General, United States Army Combat Developments Command, Fort Belvoir, Virginia, 22060, to facilitate review and followup.

1-3. Terminology

a. *Long-Range Reconnaissance Patrol (LRRP)*. The LRRP is a military unit specially organized, equipped, and trained to function as an information-gathering agency responsive to the intelligence requirements of the tactical commander. The LRRP consists of members qualified to perform reconnaissance, surveillance, and target acquisition within the dispatching unit's area of interest. The LRRP should not duplicate organic unit reconnaissance patrols which proceed to an objective area to acquire certain information and then return when the specific mission has been accomplished. The LRRP is employed to maintain surveillance over enemy routes, areas, or specific locations beyond the capability of organic reconnaissance units for extended periods, reporting all sightings of enemy activity within the area of observation. This can be done from a fixed position or reconnaissance by movement.

b. *Long-Range Reconnaissance Patrol (LRRP) Company*.

(1) The LRRP Company is a military unit specifically organized, equipped, and trained to perform LRRP missions. Located at corps and field army (when authorized by

Headquarters, Department of the Army), the LRRP company consists of a company headquarters and three patrol platoons.

(2) When specifically authorized by the Department of the Army, modified TOE (MTOE) LRRP companies or detachments may be formed to meet particular mission requirements which cannot be accomplished by existing LRRP units or other information-gathering agencies. Conditions peculiar to stability operations may generate or increase the need for MTOE LRRP units.

c. Provisional Long-Range Reconnaissance Patrol Units. Provisional LRRP units are those units organized and equipped from the commander's (division and separate brigade) existing resources and specially trained to perform LRRP missions.

d. Area of Influence. The area of influence is that portion of the assigned zone and the area of operations wherein a commander is directly capable of influencing the progress or outcome of operations by maneuvers of his ground-gaining elements or by delivery of firepower with the fire support systems normally under his control or command. In stability operations, this area may be stated as *radius of influence*.

e. Area of Interest. The area of interest is that area of concern to the commander (including the area of influence and areas adjacent thereto) extending into enemy territory to the objectives of current or planned operations. This area also includes areas occupied by enemy forces which could jeopardize the accomplishment of the mission. In stability op-

erations, this area may be stated as *radius of interest*.

f. Area of Operations (AO). Within the context of LRRP operations, the AO is that portion of an area necessary for military operations, either offensive or defensive, pursuant to an assigned mission, and for the administration incident to such military operations. In stability operations, this area may be stated as *radius of operations*.

g. Stability Operations. Stability operations are that type of internal defense and internal development operations and assistance provided by the Armed Forces to maintain, restore, or establish a climate of order within which responsible government can function effectively and without which progress cannot be achieved.

h. Tactical Area of Responsibility (TAOR). The TAOR is a defined area in which responsibility is specifically assigned to a commander for tactical operations, control or monitoring of movement, development and maintenance of installations, and other activities as directed by higher headquarters.

i. Tactical Operations Center (TOC). The TOC is a grouping of those elements of the general and special staff concerned with the current tactical operations and the tactical support thereof.

j. Forward Operational Base (FOB). The FOB is a base established to facilitate control of the operating patrols. It is located at the most secure forward position and may consist of the LRRP platoon headquarters, one base radio station, and a reaction force, if required.

CHAPTER 2

GENERAL

2-1. Mission

a. The primary mission of long-range reconnaissance patrols is to enter specified areas within enemy-held territory to observe and report enemy dispositions, installations, and activities.

b. This mission will not be relegated to secondary importance by the pressure of additional tasks.

c. Specifically, an LRRP may be employed to—

(1) Determine and report the strength, equipment, disposition, organization, and movement of enemy forces; determine location of nuclear, chemical, and biological weapons delivery systems, nuclear weapon storage sites, reserves, command posts, and key installations.

(2) Perform reconnaissance and surveillance of specific sites, routes, or areas, and determine enemy movement patterns.

(3) Conduct tactical damage assessment and perform CBR monitoring.

(4) Provide information on possible drop zones and landing zones for airborne and air-mobile operations.

(5) Operate in enemy-held territory to locate targets for airstrikes and ground attack and act as a ground component of long-range survey systems.

(6) Deploy on periphery of area of operation (AO) to detect enemy's attempts to break contact and evade friendly forces.

(7) Maintain surveillance over suspected infiltration routes and avenues of approach.

(8) Perform other appropriate ground information collection functions, as required.

2-2. Function

Long-range reconnaissance patrol companies are organized, equipped, and trained for employment in all types of geographical environments. However, they may receive special equipment and training prior to commitment in a specific area. LRRP companies are provided on the basis of one per field army headquarters and one per corps when authorized by Headquarters, Department of the Army. A platoon may be detached from the LRRP company and placed in support of divisions, separate brigades, armored cavalry regiments, or other subordinate corps or field army units on a mission basis.

2-3. Organization

The LRRP company, TOE 7-157, consists of a company headquarters and three patrol platoons (fig. 2-1).

a. *Company Headquarters.* The company headquarters consists of a headquarters section which includes administrative, mess, supply, and parachute-rigger support; a transportation and maintenance section; an operations section; and a communications platoon. The LRRP company headquarters is responsible for the tactical employment of the LRRP platoons and for reporting the information gathered.

(1) *Headquarters section.* The headquarters section provides the personnel for command of the company and for normal company-level administrative support functions. In addition to his normal command functions, the company commander maintains close liaison with the staff of the unit to which he is assigned, attached, or placed in support to include participation in patrol planning. Al-

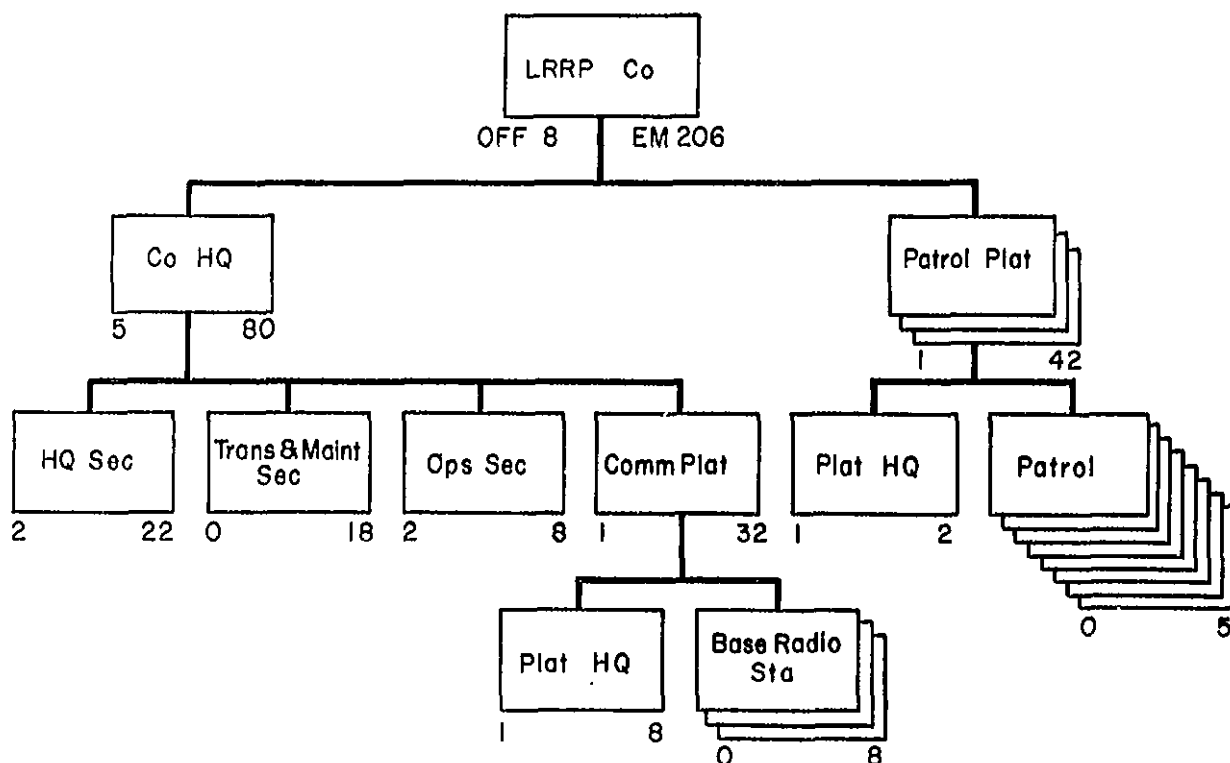


Figure 2-1. Long-range reconnaissance patrol company.

though the G2/S2 is his primary point of contact, planning for communications support and patrol delivery and recovery requires detailed coordination with other members of the staff.

(2) *Transportation and maintenance section.* This section performs organizational maintenance on, and provides repair parts for, vehicles organic to the company. It furnishes transportation for unit personnel and equipment for which other transportation is not provided.

(3) *Operations section.* The operations section plans and coordinates the activities of committed patrols. Specific duties of the section include:

(a) Analyzing the assigned mission, and making detailed plans for patrol employment.

(b) Receiving and reporting information obtained from committed patrols. Unless otherwise specified, information is forwarded immediately to the intelligence section of the controlling headquarters for processing and interpretation.

(c) Coordinating the delivery, supply, and recovery of patrols to include the use of Army and Air Force aircraft for these purposes.

(d) Reporting the operational status of committed and uncommitted patrols, as required.

(e) Briefing patrols and personnel involved in delivery, supply, and recovery.

(f) Debriefing patrols and coordinating the debriefing by the controlling headquarters, when required (FM 21-75).

(g) Providing after-action reports to controlling headquarters, as required.

(h) Establishing liaison with controlling headquarters, as required.

(i) Maintaining knowledge of the current enemy situation in the area of interest of the controlling headquarters.

(4) *Communications platoon.* The communications platoon maintains communication with committed patrols and relays reported information to the operations section. The com-

munications platoon may operate as a component of, or in coordination with, other communications elements of the controlling headquarters. Specific responsibilities of the communications platoon include—

(a) Monitoring patrol frequencies on a continuous basis.

(b) Transmitting messages to patrols.

(c) Transmitting messages to other base stations.

(d) Recording all messages transmitted and received.

(e) Relaying reported information to the company operations section, or direct to the liaison officer in the case of a detached patrol platoon.

(f) Performing organizational maintenance on all radios organic to the company.

b. Patrol Platoon. Each of the three patrol platoons consists of a platoon headquarters and eight patrols. The platoon is organized, equipped, and trained to perform reconnaissance, surveillance, and target acquisition missions. The platoon normally operates under company control. In some operational areas, it may be desirable to augment the patrol with selected indigenous personnel.

(1) *Platoon headquarters.* The platoon headquarters provides assistance to the company operations section in planning the employment of patrols. The platoon leader details patrols for assigned missions and insures their availability and operational readiness. He accompanies patrol leaders during aerial reconnaissances and assists in selecting LZ's, DZ's, and PZ's. During insertion, he flies in the command and control aircraft and will exercise overall control of the insertion. While patrols are operating, the platoon leader will supervise the functioning of the FOB and be prepared to conduct extractions. Uncommitted platoon headquarters personnel may be used for liaison purposes.

(2) *Patrols.* A patrol consists of one patrol leader, one assistant patrol leader, two radio operators, and one scout observer. All committed patrols normally operate directly under company control or platoon control if detached, and report information obtained through the base radio station to the company

operations section. The patrol leader is a key man in the planning, preparation, and execution of LRRP missions. The success of LRRP operations will depend largely on how well he performs and influences the performance of his patrol. He should be alerted early in the planning stage of the mission to allow time for him to complete necessary actions.

2-4. Capabilities

The organization, strength, and equipment of an LRRP is based on its assigned mission and the environment of the operational area. An LRRP has the capability to—

a. Conduct training and preparation for its assigned missions.

b. Be committed in specific locations within enemy-held territory by stay-behind methods, or be delivered by land, water, or air, to include parachute.

c. Operate in enemy-held territory for several days.

d. Establish communications between the company base stations or the controlling headquarters and other operating patrols directly or through an aerial relay link.

e. Conduct operations in inclement weather and over difficult terrain.

f. Operate with austere support.

g. Be recovered by air (to include Skyhook techniques), land, or water; to linkup with advancing forces; or to return, using escape and evasion techniques.

h. Be equipped and trained for employment in any theater of operations.

2-5. Limitations

An LRRP may be limited by the following considerations:

a. Mobility is normally restricted to foot movement in the area of operations.

b. Use of radio and active electronic surveillance devices makes the patrol vulnerable to enemy detection.

c. All supplies and equipment for which a need can be anticipated should be carried by

the patrol, since resupply from outside sources may reveal the location of the patrol.

d. Delivery and recovery operations are conducted in enemy-held territory and are difficult because of the requirements for secrecy, timeliness, security, and accuracy of location.

e. Organic medical capability is limited to individual first aid when patrol elements are used independently, but may be augmented by a company aidman if the mission requires it.

2-6. Training

a. Training must be a paramount consideration if LRRP units are to accomplish their missions. Personnel assigned to these units should be selected from well-qualified, highly motivated volunteers. In the LRRP company, all members are airborne qualified. In addition to parachute qualification, selected personnel should be trained in SCUBA techniques, so that company training can be given should it be necessary. Moreover, the company commander, operations officer, platoon leaders, and patrol leaders should be ranger- and CBR-qualified. Previous ranger, special forces, or similar training is also desirable for other LRRP company members. Areas for training emphasis should include patrolling (with special focus on point and area reconnaissance patrols), engineer terrain reconnaissance, combat surveillance, airmobile and airlanded operations, rough terrain parachute operations, target acquisition, forward observer procedures, use of night vision devices, and other special technical aids for collecting information. Members should be experts in evasion, escape, survival, communications security and procedures, and advanced first aid procedures including manual transportation of the sick and wounded. In order to properly report their observations of the enemy, patrol members must be proficient in the principles of intelligence information collection, land navigation, map reading, tactical terrain analysis, and spot reporting. They must also be familiar with enemy tactics, organization, uniforms, weapons, equipment, and logistical systems. Realistic long-range reconnaissance, surveillance, and target acquisition exercises should be incorporated into LRRP unit training to evaluate

individual and unit proficiency and serve as the basis for further training. Training should be progressive rather than repetitive, with emphasis on practical application and cross-training once basic and special skills have been learned. Specific guidance concerning training objectives, subject matter, and phasing is given in ATP 7-157 and in other pertinent publications listed in appendix A.

b. Experience suggests that normally about eight months are required to produce an effectively trained and reliable LRRP unit. However, this time span can be compressed somewhat based upon prior training and level of proficiency of patrol members. Commanders contemplating forming provisional LRRP units should consider such factors as mission requirements, responsiveness of operational LRRP units, personnel turnover, training time, and availability of instructors and facilities. These factors should be carefully weighed in terms of their impact on the parent unit's primary combat mission.

2-7. Signal Communications

a. General. Once a patrol is positioned in the planned location, prompt reporting of required information is the most important aspect of LRRP operations. Communication procedures, plans for implementation of alternate communication procedures, and the importance of accurate reporting must be thoroughly understood by every member of the LRRP unit. Tactical communications doctrine contained in FM 24-1 is applicable to LRRP company communications.

b. LRRP Company Communications.

(1) *Radio.* Radio is the principal means of communication in the LRRP company (fig. 2-2). In the company area, it is supplemented by wire and messenger to provide a more efficient and secure communications system.

(a) Communication with committed patrols is accomplished through any one of the three base radio stations. Because of the type radios employed, atmospheric conditions, distances involved, frequency prediction, radio wave propagation, skip distance, and sky and ground wave frequency limitations, it is necessary to employ three separate base radio

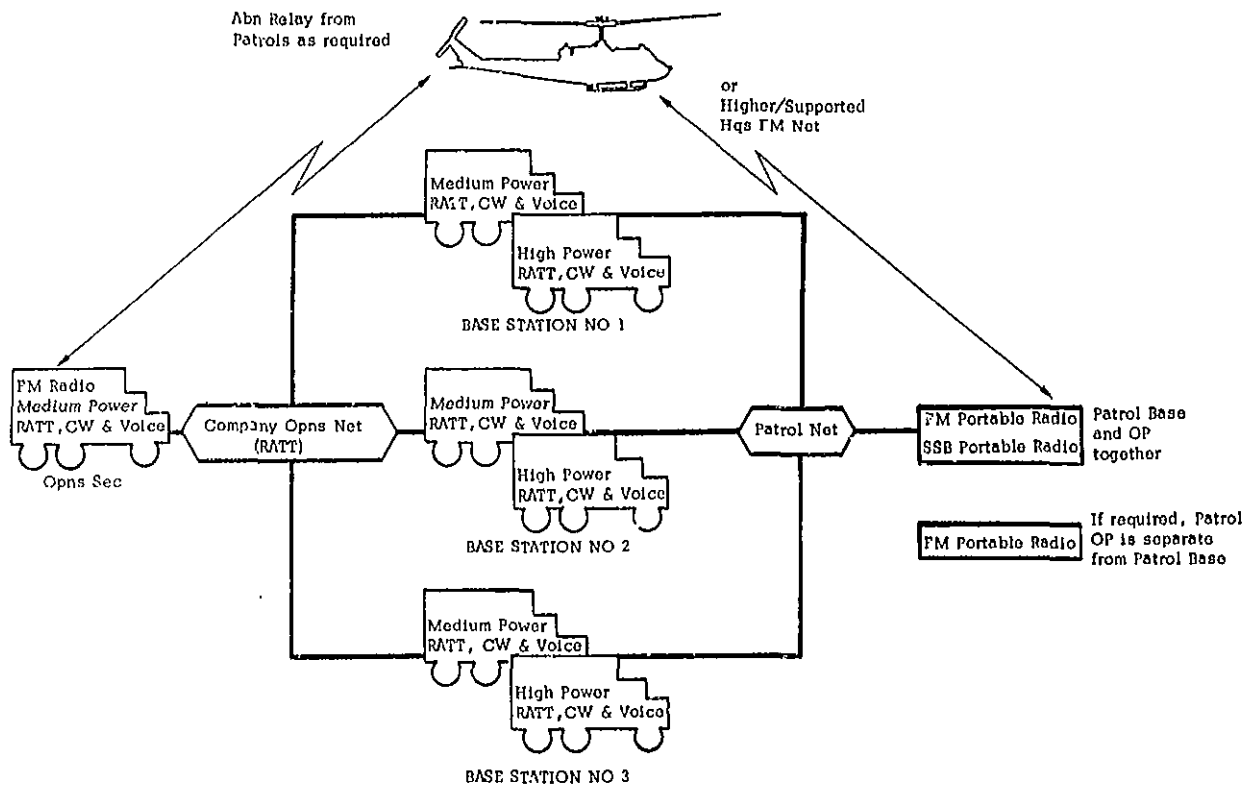


Figure 2-2. Type radio nets, LRRP company.

stations. These three stations are identical and are emplaced in depth to the rear of the corps (army) CP area. Base station No. 1, nearest the FEBA, is located at the LRRP CP near the corps (army) CP and is the net control station (NCS). Six patrols are assigned the same primary frequency; the 24 patrols may use one frequency assigned to all for emergency use. All base stations monitor these four primary frequencies and the emergency frequency. If a patrol transmission skips station No. 1, then usually one (or both) of the other two base stations will receive the message; if they do not hear station No. 1 acknowledge the patrol's message, they will then acknowledge the message and transmit it to station No. 1 or to the LRRP operations section via the company operations RATT net for decoding and dissemination into intelligence channels. Radio transmissions will be encrypted in an approved cryptographic system. Each patrol will have its own cryptographic key to preclude compromise of messages of other patrols in the event of capture.

(b) Communication among base stations and the company operations section is accomplished through the company operations

RATT net which has either a voice or CW capability.

(c) Communication with uncommitted patrols and company headquarters elements is accomplished through the company wire system.

(d) The LRRP company operates a station in an FM radio net of the higher or supported headquarters as designated by that unit.

(2) *Wire.* Wire is used for internal communication within the LRRP company headquarters, and is normally used to transmit information reported by the committed patrols from the base station CW radio to the operations section, and from the operations section to the intelligence section of the controlling headquarters.

(3) *Messenger.* Mounted and dismounted messengers are used to deliver maps, overlays, sketches, and reports to and from the controlling headquarters. The company liaison officer or platoon leaders may be used to carry important messages, particularly when an oral explanation of the situation is required.

(4) *Visual.* All forms of visual communication will be used, to include both visible and invisible light (infrared) sources during the hours of darkness. Visual communications are especially useful for transmitting short prearranged messages and will be used habitually for marking landing sites and aiding in terminal control of aircraft used for delivery and recovery of patrols. Active infrared systems may also be used to send coded messages.

(5) *Sound.* Because of the requirement for stealth, secrecy, and deception, sound signals are seldom used by LRRP.

c. Patrol Communication Equipment and Procedures.

(1) The primary radio for communication from the patrols to the base stations is a portable SSB radio with auxiliary equipment for burst transmission of prerecorded CW messages. The base stations are equipped with both medium and high power SSB RATT radio sets capable of CW and voice operation. The burst transmission mode is used whenever possible for all traffic from patrol to base station. Manual CW operation is an alternate means used in case of failure of the message sender. When manual CW is used, the length of messages should be reduced by a prearranged message or brevity code. Manual CW is used as the primary method of transmitting from base station to patrols.

(2) Two FM portable radios are provided to each patrol for communication between the patrol OP and the patrol base where the SSB portable radio is located if a separate OP has to be established. The FM portable radio may also be used for communicating with the aircraft transporting the patrol, and between patrols operating in the same area. This radio is designated as the alternate means of radio communication if the SSB portable radio becomes inoperative. If this situation develops, the patrol will transmit over the short-range radio at prearranged, random times, using a designated proword to establish contact with the aircraft. The FM radio in the aircraft will be used to retransmit the message to the base station or to other patrols operating in the same area. SOP for units employing LRRP

should provide for aircraft to be aloft monitoring the patrol FM frequency. Personnel manning aircraft specifically designated for this airborne relay must be thoroughly briefed on the patrol mission and general location.

(3) All patrol members must be trained in voice procedure, in the use of brevity, prearranged, and map coordinate codes, and in the operation of the equipment used for burst transmissions of prerecorded CW transmissions. The senior radio operator assigned to each patrol will be the intermediate speed CW radio operator. It is desirable that the other radio operator and observers be trained as CW operators.

(4) Transmission time is held to a minimum by use of the equipment used for burst transmission; use of prearranged message, brevity, and map coordinate codes; and by transmitting only necessary information. The transmission site of the patrol is changed frequently and, if possible, for each contact.

(5) Routine reports and information not immediately required are transmitted at prearranged, random times. Flash reports of significant enemy information, requests for immediate support, and emergency transmissions may be made any time at the discretion of the patrol leader but are subject to the controlling unit SOP. The radio set at the controlling headquarters or base station continually monitors assigned frequencies to receive calls from patrols at other than prearranged times. Each LRRP should incorporate within the encrypted portion of each report an identifying mark (memorized by the patrol) to preclude the enemy from transmitting false reports should a patrol and its cryptographic key be captured.

(6) The message sender should be used for the transmission of reports concerning—

(a) Enemy information, including type, number, activity, location, and direction of movement of enemy forces and times of sighting.

(b) Status and location of patrols.

(c) Instructions for rendezvous with aircraft and deviations from planned operations.

(d) Artillery fire requests and requests for air strikes.

(e) Terrain and weather information.

(f) Emergency supply or recovery messages.

(g) Acknowledgment of messages from base station.

(h) Tactical damage assessment and CBR monitoring.

CHAPTER 3

PLANNING AND PREPARATION

3-1. General

An LRRP mission must be specific and must support the mission of the force for which the operation is to be performed. If more than one mission is assigned, priorities are established. Priorities are determined by the importance of the information sought and the time it is required to be in the controlling headquarters. To prevent duplication of effort, conflicting requirements, and the possibility of overlap or intermingling with other friendly forces operating in the vicinity, all LRRP missions must be carefully planned and coordinated. The controlling headquarters selects missions for LRRP from the intelligence collection plan and the operations plan. Close liaison is maintained between the LRRP company and the headquarters controlling its employment.

3-2. Planning and Preparation

a. The LRRP company commander or his representative (liaison officer, operations officer, or platoon leader in the case of a detached LRRP platoon) participates with the intelligence and operations sections of the higher headquarters in the initial planning for LRRP operations. Method of operation while on patrol, communication procedures, reporting, and other standard practices should be in the LRRP company SOP. The following minimum guidance is normally provided the company for each LRRP mission:

(1) Information of patrol position or area to be kept under surveillance, or area to be searched and information desired.

(2) Disposition of friendly forces in the same area.

(3) Method of delivery.

(4) Broad guidance on routes and alternate routes to patrol position, landing zones, or drop zones, as applicable.

(5) Any restrictions imposed upon the LRRP company concerning routes, specific position areas, and times of delivery, so that these restrictions can be considered in planning the employment of the patrol.

(6) Special equipment required.

(7) Other matters according to LRRP company SOP.

b. The operations officer prepares the detailed patrol plans in accordance with the guidance provided by the controlling headquarters and the LRRP company commander. Selected patrol leaders and a representative of the unit providing transportation to and from the area of operations are briefed on the mission early in the planning phase and should participate in the detailed planning which follow. During briefings, patrol leaders are furnished that information pertaining to friendly units which is necessary for the accomplishment of the mission. Essential details of a patrol plan normally include—

(1) Area to be searched or kept under surveillance, and recommended position(s) from which this can be done.

(a) Positions for LRRP are determined well in advance of employment of patrols; based on a study of terrain; road and rail nets; enemy order of battle; delivery means available; emergency, contingency, or operations plans of controlling headquarters; and the desires of the commander.

(b) When possible, patrol positions are reconnoitered prior to occupation. Specific posi-

tions are selected to cover the desired area of interest, and communications checks are made. When physical reconnaissance is not possible, reliance is placed upon the individual patrol leader who is given the area of interest over which his patrol is to maintain surveillance and who, upon arrival in the area, selects and reports the specific patrol position.

(2) Loading plans and procedures, including delivery, recovery, and aircraft parking sites. Alternate sites also are selected for possible use. Primary and alternate drop zones are selected if the patrol is to be delivered by parachute.

(3) The flight plan, if required, including approach and return flight routes. Alternate routes are selected.

(4) The movement plan to and from the patrol position if movement is other than by aerial means, or the proposed route if performing reconnaissance by movement.

(5) The fire support plan which may include—

(a) Suppressive fires to assist the passage of the patrol through or over designated areas.

(b) Use of screening smoke.

(c) Likely nuclear concentrations within the area of surveillance.

(d) Fires to assist in the withdrawal of patrols.

(e) Fires to assist navigation.

(f) Prearranged grid of the patrol area (to facilitate fire support).

(6) Diversion plan. The patrol's movement through enemy areas may be planned to coincide with actions that cause the enemy to divert his attention elsewhere.

(7) The timing for execution of major events in the operation.

(8) The communications plan, which includes frequencies, reporting schedule, emergency reporting procedures, and alternate communications plans.

(9) Plan for use of guides, technical specialists, or special equipment.

(10) Coordination measures with friendly forces for the passage of lines or linkup.

(11) Plan for treatment and evacuation of sick or wounded patrol personnel from the operational area.

(12) Plan for logistical support.

c. The patrol leader uses patrol steps (app B) in planning, preparing, and executing patrol missions. These procedures are comprehensive, yet flexible enough to adapt to any patrol situation. Two of the most important patrol steps are—

(1) Issuance of warning order (FM 21-75). This action gives the patrol maximum time to prepare for the mission. It should be issued as soon as the patrol leader has made his tentative plan.

(2) Issuance of patrol order (FM 21-75). The patrol leader conveys the information and instructions necessary to accomplish the mission. Members make notes as required, but hold questions until the order is completed. The patrol leader concludes the order by asking for questions and requiring a briefback by each member.

3-3. Coordination

a. Prior to the final inspection, briefing, and dispatch of the patrol, coordination is accomplished with the following elements within the TOC of the controlling headquarters:

(1) *Intelligence element.* The detailed patrol plan is provided the G2/S2 element. The latest information of the enemy situation, terrain, and projected weather conditions will be obtained. A final check is made of LRRP plans and the plans of other information-gathering agencies to ascertain that all elements of the unit's intelligence plan are properly coordinated.

(2) *Operations element.* The patrol plan is also provided the G3/S3 element. The latest information of the friendly situation is obtained. For security reasons, only essential information is furnished the patrol.

(3) *Fire support elements (artillery, air defense, naval gunfire, tactical air, and armed/attack helicopter support).* The location of the patrol is coordinated with all fire support elements to insure personnel safety. Constant coordination must be maintained to insure con-

sideration of patrol safety early in the planning for employment of nuclear or CB weapons. If a patrol is seriously endangered by planned nuclear or CB fires and cannot be warned and moved to a safe location in time, the commander authorizing the fire of the weapon shall be so informed. This commander must then decide either to delay or cancel the firing or to fire and risk loss of the patrol. Procedures are established for informing patrols of planned fires and passive protective measures to be adopted. In addition, requirements for target damage assessment and reporting procedures are coordinated, and the final patrol fire support plan is completed.

(4) *Chemical, biological, and radiological element (CBRE)*. The CBRE is given the location of all committed patrols, and plans are coordinated for CBR monitoring requirements in the area of the patrol's operation. Information on contaminated areas is distributed as necessary.

b. Maximum coordination with other units and staff elements is accomplished by the intelligence element of the TOC of the controlling headquarters. The LRRP company operations section functions largely as an extension of the higher headquarters G2/S2 element during the planning phase.

3-4. Control

a. Continuous control by the higher headquarters is necessary during LRRP operations. Orders, their sequence of execution and timing, and other controls must be very restrictive. Deviations from the prescribed plan depend upon the responsiveness of the communications system in answering requests from the committed patrol. The communications net and chain of command of the LRRP company are used by the controlling headquarters to direct the operation of patrols.

b. Although patrols are normally committed within the area of interest of the controlling headquarters, definite control measures are necessary to prescribe graphically the area of operations of each patrol. Boundaries, phase lines, and checkpoints are used to define specifically each patrol's area of operation. The headquarters controlling the patrol coordinates

the operation with appropriate higher, subordinate, and adjacent headquarters to avoid duplication of effort and to insure the safety of the patrol.

3-5. Combat Support

a. The controlling headquarters is responsible for providing combat support for committed patrols. This support must be well planned and coordinated in order to enhance the success of LRRP operations. Supporting unit and supported unit responsibilities, command and staff relationships, and other control measures must be clearly defined by the controlling headquarters. The use of combat support elements (either real or simulated) should be integrated into LRRP training to insure that all members understand their employment. Operations plans and orders should specify combat support information to the extent necessary for mutual understanding by LRRP units and combat support units of their respective duties and responsibilities in accomplishing the LRRP mission.

b. The use of Army aviation provides the LRRP with a high degree of mobility and flexibility. When properly planned and employed, both fixed- and rotary-wing aircraft are valuable aids in accomplishing LRRP missions. They may be used in reconnaissance, command and control, insertion, extraction, medical evacuation, emergency supply or resupply, and communications relay roles. Moreover, armed aircraft can be used to suppress or neutralize hostile fire, thereby assisting patrols in breaking enemy contact. As in other military operations, the key to success in employment of Army aviation lies in the appreciation of its capabilities and limitations and the proper utilization of aviation elements with their characteristics of surprise, speed, mobility, and flexibility. Detailed planning, close coordination, and extensive training are necessary to attain the level of teamwork required for successful employment of Army aviation in support of LRRP missions.

c. Attachment of specially trained individuals, teams, and equipment (linguists, indigenous guides, scout dog teams, tracker teams, long-range surveillance systems, etc.)

will be correlated with specific LRRP mission requirements. When used, they must be available during the preparation phase and particularly for rehearsals of critical actions with the patrol.

3-6. Combat Service Support

a. The LRRP company combat service support elements consist of the administrative, mess, and supply section, and the transportation and maintenance section. Each vehicle in the unit carries a prescribed load of rations, repair parts, water cans, fuel and lubricant containers, and part of the company basis load of ammunition.

b. A platoon detached from its parent company is accompanied by necessary communications, transportation, and maintenance elements to make it as logistically self-sufficient as possible.

c. The LRRP company receives its combat service support from the command to which it may be assigned, attached, or placed in support. Supplies and equipment required for LRRP missions are procured through normal logistical channels.

d. The provision of qualified replacements is of primary concern to the LRRP unit commander and controlling headquarters staff during combat service support planning.

3-7. Security

a. Avoidance of enemy detection is a prime requisite for the success of LRRP operations. Possessing no offensive capability (weapons are used only for self-defense or to break enemy contact), patrols must rely extensively upon security measures, both administrative and tactical.

b. Administrative measures consist of stringent control of information pertaining to LRRP missions—past, present, and projected—as well as security orientations and checks to assure that security requirements are understood and followed.

c. Tactical security and deception measures to be taken as necessary by patrols and their support elements include—

(1) Enroute to area of operations: false landings, feints, and circuitous routes.

(2) During insertion: minimum time on LZ or dismount point.

(3) In objective area: proper organization for movement, cover, concealment, camouflage, and light, noise, and odor discipline.

(4) During aerial emergency resupply: airdrops on dummy patrol positions and night airdrops.

(5) During extraction: careful observation of PZ or rendezvous point, rapid entry, and exit of mobility means.

CHAPTER 4

CONDUCT OF OPERATIONS

4-1. General

a. The LRRP company is normally located in an area near the corps or army main CP. Patrols may be dispatched to confirm or amplify information obtained by aerial observation, photography, electronic surveillance, radio intercept or other means; or patrols may be assigned missions in suspect areas about which no information is available.

b. The commander's long-range, information-gathering problem usually concerns the location of targets for his long-range weapons and the provision of information or early warning to a particular combat unit about the movement or activities of significant enemy reserves and special weapons delivery means. The amount of early warning required is determined by the time enemy combat power takes to make its influence felt and by the reaction time required to employ friendly maneuver elements and firepower. When used to supplement other information-gathering agencies, the LRRP affords the commander a relatively reliable and accurate means for the systematic surveillance of specific areas.

c. A system of patrols located to provide effective area coverage is a basic surveillance requirement in the corps area of operations. This system provides for the introduction of LRRP into the area to conduct surveillance of key communications systems, specific terrain features, and enemy activities. In general, the corps capability is adequate to meet the requirements of divisions and smaller units attached to the corps; however, the capabilities of units subordinate to corps to provide their own organic reconnaissance units to the limit

of their areas of interest must also be considered.

4-2. Reconnaissance and Surveillance

a. *General.* The conduct of dismounted patrolling is described in FM 21-50 and FM 21-75. In accomplishing their missions, LRRP employ stealth and secrecy. When possible, movement into and within the patrol position is accomplished during periods of limited visibility. While visibility is restricted, observers can move closer to the route or area under surveillance and still report useful information. During periods of good visibility, when the mission permits, the LRRP remains concealed, rests, and maintains surveillance of specific areas or routes. For physical and communication security, the patrol may be required to occupy, in turn, several different observation positions, or may accomplish the mission using reconnaissance by movement.

b. *Surveillance of Routes and Specific Areas.* To accomplish this mission, the LRRP moves into the patrol position and establishes an observation post under cover of darkness or adverse weather conditions. These posts are usually manned by two men—one observing the specified route or area, recording and reporting information to the patrol base, and the other resting, providing security, or assisting as necessary. A single patrol can maintain one observation post at a time, relieving the observers every two or three hours.

c. *Reconnaissance of a Specific Area.* It is possible, but not desirable, that a patrol, after being positioned, may be requested to obtain information of a specific area not under surveillance from the patrol position. A minimum

of two members are dispatched to acquire this information, but it may be necessary for the entire patrol to move into and reconnoiter this new area. If such a reconnaissance mission is required, the patrol uses the methods and procedures outlined in FM 21-75.

4-3. Target Acquisition

The timely detection, identification, and location of enemy targets in sufficient detail to permit effective employment of weapons is a primary and continuing mission of LRRP. A patrol is capable of obtaining target location and movement as well as estimates of unit strength, type identification, vulnerabilities, and weather conditions and nature of the terrain in the target area. In addition to the acquisition of specific targets, the patrols may be used to verify or indicate suspected areas so that other types of surveillance or acquisition systems may be employed to extract the information required.

4-4. Tactical Damage Assessment and CBR Monitoring

LRRP members are trained and equipped to conduct tactical damage assessment and CBR monitoring. SOP of the unit controlling the patrol's operations will be used to prescribe the actions of a patrol conducting these missions.

4-5. Operational Environments

a. General. Conditions encountered and techniques of operation in jungles, deserts, mountains, and northern areas are described in field manuals of the combat arms and the 31-series. Patrols operating in these areas are greatly affected by adverse weather and terrain conditions. Extremes in temperature, humidity, and elevation will have considerable effect on the lift capability of transporting aircraft.

b. Jungle Operations. Operations in dense jungle increase the importance of long-range reconnaissance patrols because ground and air observation, including that provided by electronic surveillance systems, is restricted. Helicopters are usually the most feasible means of transporting patrols, but they entail increased hazard because of the difficulty of detecting enemy intercept forces along flight routes and

the limited landing areas. Delivery and recovery of patrols using ropes and rope ladders from a hovering helicopter may often be a necessary procedure. Waterways provide a means of surface movement and are an aid to navigation. Radio ranges are reduced by the screening effect of dense vegetation and steep slopes. This increases the requirement for current data on sky and ground wave frequency limitations for the area of operations.

c. Desert Operations. Characteristics of desert areas affecting LRRP operations are lack of water, scarcity of vegetation, extensive sand areas, extreme temperature ranges, brilliant sunlight, and usually excellent observation. Movement is generally restricted to darkness; patrols remain concealed and observe during daylight hours. Movement by animal or vehicle may be considered in addition to foot movement. Shortage of water is a major problem. If no other source is available, water may be delivered by aircraft to previously selected rendezvous sites at night. Radio communication is generally excellent. Navigation and position location may be difficult, necessitating additional training in land or air navigation and terrain orientation procedures.

d. Mountain Operations. Irregular mountain topography normally provides good concealment and cover. Observation varies from good to poor depending upon woods and scrub growth. Observation posts near ridges and peaks may provide broad areas of observation. Aircraft movement of patrols is often limited by altitude capability, erratic wind conditions, and lack of acceptable landing and parking sites. Patrol members must be in excellent physical condition, acclimatized to the weather conditions, and skilled in mountain climbing techniques. Communications in mountainous areas are generally difficult; relay stations may therefore be required for communication between the LRRP and the base station.

e. Northern Operations. In extreme cold, patrols are hampered by the necessity for maintaining body warmth. In deep snow, patrols must operate on skis or snowshoes; consideration may be given to the use of dogsleds and skimobiles as well. Long-range weather forecasts are important, particularly during the

planning phase. Deep snow provides concealment for stationary observation posts, but increases the difficulty of orientation and concealment of moving patrols. Deceptive measures and camouflage are used to confuse the enemy as to the size and location of the LRRP. Radio communication is seriously affected by magnetic storms, auroral effects, and ionospheric disturbances. Proper selection of frequencies is of extreme importance. Trafficability and load-bearing qualities of ice and snow crust are significant in winter operations, and determination of these factors may be a part of the reconnaissance mission assigned the LRRP. Survival is difficult under extreme winter conditions. The patrol must provide itself with a warming area in order to operate for extended periods at maximum efficiency. Northern summer conditions are characterized by long periods of daylight, and numerous water obstacles and marshy areas. The use of boats designed to navigate northern waterways increases the mobility of patrols when aircraft or ground operations are restricted.

4-6. Methods of Patrol Delivery

a. General. The selected method of delivery depends upon the mission, enemy situation, means available, weather and terrain, depth of penetration, and target priority. The most desirable method is one that reduces the possibility of detection. Security and secrecy of movement must not be sacrificed for convenience. The LRRP must maintain the advantage of operations by stealth regardless of the methods used to deliver a patrol into its area of operations. Methods of patrol delivery include stay behind, airlanding, and subsequent recovery; under extraordinary circumstances, airlanding with the aircraft remaining with the patrol; helicopter delivery; parachute delivery from either airplane or helicopter; water transportation; and ground vehicle or foot infiltration.

b. Stay Behind. This method is normally employed during retrograde operations or withdrawal of covering forces in defensive operations. When used, it has the best chance of success because of the ease of remaining undiscovered as compared to moving through the air or over land to reach the area of employment. In addition, supplies and special equip-

ment can be stockpiled to provide for an extended operation.

c. Air Landing. This type of infiltration is normally the most desirable method of delivery and may be accomplished by either helicopter or fixed-wing aircraft; however, when fixed-wing aircraft are used, security and the availability of landing zones are often restrictive factors. The aircraft may return to recover the patrol, and, under certain circumstances, aircraft may remain with the patrol. In the latter case, additional manpower on the patrol is necessary for security; however, secrecy in the conduct of operations is difficult.

d. Helicopter Delivery. The helicopter has a number of desirable characteristics for the insertion of a patrol. Delivery by helicopter can terminate by a landing or by the use of ropes and ladders in areas which preclude landing. The helicopter is the most accurate and efficient of the aerial delivery means. Secrecy of helicopter delivery is obtained through night operations, nap-of-the-earth flying, and multiple deceptive landings.

e. Parachute Delivery. This method of patrol delivery is used when secrecy, time, and distance are of paramount importance. Depending on the location and effectiveness of hostile air defenses and radar screens, either low-level or high-level penetration of enemy-held territory by Army or Air Force delivery aircraft may be employed. Low flying delivery aircraft may escape detection by enemy radar but can be observed and reported by ground personnel. From low flying aircraft, personnel use the normal static line parachute techniques but may be required to jump at lower altitudes than in normal airborne operations. From a high-flying aircraft, which may penetrate hostile territory with bomber aircraft as cover, personnel employ high altitude-low opening (HALO) parachute techniques. However, the HALO technique cannot be employed unless patrol members have received proper training and equipment. Choice of parachute delivery technique depends upon the enemy situation at the time of the operation (FM 31-20).

f. Water Transportation. Patrols may be delivered by either surface vessel or submarine. The use of pneumatic reconnaissance boats or

rafts, especially over inland waterways, can provide silent means of entering the patrol's area of operations. The major disadvantage of this method is that the patrol risks detection and attack by enemy forces concealed along the banks of these canalized routes of approach. The water approach should not be near the proposed area of operation.

g. Ground Vehicles. This means may be used when speed is essential, distances are not great, and chances of detection are slight. The area of operation and weather conditions must favor vehicular movement.

h. Land Infiltration. This method may be used when the dispersion of enemy units permits. Land infiltration lacks the speed, range, and flexibility of air delivery, but may be employed when prolonged adverse weather conditions or the enemy situation—including air defense capability—prevent effective use of aircraft.

4-7. Patrol Recovery

a. General. The length of time that a patrol remains in enemy territory depends upon its mission, composition, and equipment. The recovery operation is critical from the standpoint of both morale and mission accomplishment. Plans for recovery by air, ground, or water are made before the operation, with alternate plans for contingencies such as the evacuation of sick or injured patrol personnel. Regardless of the time spent in enemy territory or under whose control the patrol may be operating at the time, issuance of orders and control of recovery operations are normally the responsibility of the LRRP company commander. The patrol leader may be faced with an unforeseen situation that may demand the utmost in flexibility, discipline, and leadership. It should be clearly understood that the patrol mission is of primary importance, but that survival of the patrol receives first priority after accomplishment of the assigned mission.

b. Rendezvous with Aircraft. Alternate recovery sites are selected and plans for their use are completed in the event the enemy situation or weather precludes the use of the designated recovery sites. When the aircraft returns for the recovery, the patrol leader should—

(1) Have verified the security of the recovery (landing) site.

(2) Describe the ground situation to the pilot by radio or by prearranged light, panel, or color device such as smoke grenades.

(3) Assist the landing of the aircraft. (Consider using strobe light if available, as appropriate).

(4) Supervise the loading of the aircraft.

(5) Notify the pilot when ready to depart.

c. Recovery of the Patrol by Means Other Than Air. The original patrol plan may have specified recovery by land or water; linkup with friendly forces in an offensive operation; or linkup with special forces, friendly guerrillas, or other irregular forces in a retrograde operation. Any of these means may be planned as alternates if the patrol cannot be recovered by aircraft, or to avoid capture after being discovered. The patrol must be prepared to use these means as planned or upon decision of the patrol leader.

d. Ground Exfiltration. Despite the desirability of recovering patrols by aircraft, boats, or linkup, use of these methods may be precluded by patrol security, poor communications, or enemy air defense. Patrols trained in evasion techniques may successfully exfiltrate on foot as individuals or in groups.

4-8. Debriefing

a. Patrols will be thoroughly debriefed as soon as possible after returning from missions. The format of the debriefing should be structured to derive maximum benefit from the information collected by the patrol. All patrol members should be given the opportunity to contribute their comments, observations, and recommendations.

b. The standard U.S. Army patrol report form (FM 21-75), is used to assist the debriefer, patrol leader, and patrol members in rendering a complete report. Headings not germane to the operation being reported may be omitted. This form may be locally reproduced if necessary. When completed, patrol reports will be properly classified to prevent compromise of LRRP operational techniques.

4-9. Planning and Operation of Provisional LRRP

Employment of provisional LRRP by division and smaller units is not frequent except in stability operations. Normal reconnaissance, surveillance, and target acquisition missions will be accomplished by organic reconnaissance elements. Missions requiring the use of LRRP are normally conducted by elements of the organizational LRRP company, which accomplish

the requested mission or attach a patrol platoon to the requesting unit for employment, as desired. However, LRRP previously organized within the division, separate brigade, and armored cavalry regiment provide an additional intelligence collection capability to these organizations. When missions require use of provisional patrols, their organization, planning, and operations are essentially as discussed for the LRRP company.

CHAPTER 5

STABILITY OPERATIONS

5-1. General

The objectives of this chapter are to—

a. Identify and discuss the conditions peculiar to stability operations as they pertain to LRRP activities.

b. Provide guidance on planning and conducting LRRP operations in a stability operations environment.

5-2. Planning Concepts

a. Contrasts and comparisons of stability operations and limited and general war are discussed in detail in FM 31-16 and FM 31-23. Intelligence requirements in stability operations are covered in FM 30-31. Commanders and staffs engaged in LRRP operations should become thoroughly familiar with these conditions and consider them during all phases of LRRP activities.

b. Given the conditions cited above, the primary mission of LRRP remains essentially as stated in chapter 2 of this manual. However, commanders' concepts, staff estimates, and other planning factors must consider the variables incident to the local situation in devising new methods and means for accomplishing this mission. These variables may include pertinent host country/U. S. relationships; proximity, strength, and disposition of friendly and enemy forces, fluid tactical situation; local population attitudes toward host country government, toward the insurgents and their supports, and toward the US and its involvement in the hostilities. Also to be considered are the availability of operational LRRP units and the feasibility of organizing, equipping, training, and providing advisors for indigenous forces

to perform LRRP missions, with or apart from US LRRP units.

c. The stability operations environment will most likely require the employment of MTOE LRRP companies and provisional LRRP units. The organization, equipment, and training of these units must be correlated to the geographic region and level of conflict in which they will be employed.

5-3. Preparation and Coordination

a. General preparation and coordination of LRRP in a stability operations environment must be continuous, comprehensive, flexible, and closely linked with other information-gathering agencies. When an LRRP mission is assigned, the following preparation and coordination sequence should be followed:

(1) The controlling headquarters designates a general area of operations (AO) for the patrol being employed, and when necessary, provides for aviation support, fire support, and a ready reaction force. The LRRP company commander is then notified of mission, approximate date and time of insertion, tentative extraction date and time, general area of operations, and special requirements. Units with AO adjacent to LRRP mission AO are also alerted to the planned insertion date, tentative duration of mission, size of LRRP being employed and area of employment.

(2) The LRRP company commander issues the warning order to the patrol platoon assigned the mission. Assisted by the company operations officer, he analyzes the mission and develops detailed plans for aerial reconnaissance, insertion, extraction, fire support, and communication.

(3) The LRRP company operations officer assists in accomplishing tasks outlined in (2) above. He coordinates with supporting aviation and fire support elements. He notifies the controlling headquarters TOC when the final plan has been completed, to include exact area of operations, insertion and extraction times, patrol location, control measures or proposed route, communication plan and other pertinent information. He presents the concept of operation to the platoon leader and patrol leader(s).

(4) The LRRP company communications officer assists the LRRP company commander and operations officer by developing the detailed communication plan to support the LRRP mission. He also prepares and distributes extracts of the SOI and SSI, and issues necessary instructions to communication platoon personnel for continuous communication support for the duration of committed patrol(s).

(5) The LRRP platoon leader selects the patrol to accomplish the mission, issues his warning order and participates in the overflight with the patrol leader and key aviators to select LZ, alternate LZ, routes, checkpoints, pickup zone, and alternate pickup zone. He (with the patrol leader) receives the concept of the operation from the operations officer and listens to the patrol leader's briefback and patrol order. He also supervises patrol preparation and conducts a detailed inspection prior to patrol departure. The LRRP platoon leader inserts the patrol into the AO.

(6) The LRRP platoon sergeant assists as directed by the platoon leader and assumes command in his absence.

(7) The patrol leader, upon receipt of the warning order, begins preparation of his patrol for the mission. He accompanies the platoon leader on the overflight and assists in selecting LZ, routes, checkpoints, PZ, alternate PZ, and other control measures. He completes detailed preparation of the patrol, issues the patrol order, and supervises throughout (inspection, rehearsals, execution).

5-4. LRRP Operations

a. Phases. The conduct of LRRP operations may be divided into the following general phases:

- (1) Rendezvous with transport element.

- (2) Movement to patrol AO.

- (3) Insertion.

- (4) Actions in patrol AO.

- (5) Extraction.

- (6) Return to controlling headquarters base.

b. Conditions. The following discussion (*c* through *h* below) describes each of the phases listed in *a* above, treating them in chronological sequence. Three conditions are presupposed—

- (1) Necessary planning and coordination actions covered in paragraph 5-3 have been completed.

- (2) The LRRP is to be inserted by helicopter.

- (3) The aviation element consists of five helicopters (command and control-1, LRRP transport-1, rescue/space-1, armed escort-2).

c. Rendezvous with Aviation Element. The LRRP platoon leader, patrol leader, and aviation mission commander meet at a prescribed point and time to coordinate last-minute instructions. Personnel load into assigned aircraft, and the LRRP force departs the PZ.

d. Movement to Patrol AO. The aviation mission commander directs the force to the AO. Security measures and diversionary tactics are employed enroute to avoid enemy detection of LZ.

e. Insertion. The LRRP transport helicopter leaves formation at predesignated RP, touches down on LZ. The patrol quickly exits aircraft, moves off LZ, and the transport helicopter rejoins the remainder of aviation element. The aviation element returns to controlling headquarters base and stands by for further mission requirements. The LRRP platoon leader renders a situation report (SITREP) enroute (if required).

f. Actions in Patrol AO. The patrol moves to the objective area, using proper formations, dispersion, routes, and other security measures to avoid enemy detection. When the patrol arrives in the objective area, the patrol leader halts the patrol, reconnoiters forward, then positions the patrol to accomplish its assigned mission. If necessary, the patrol leader accomplishes his mission using reconnaissance by movement. Using prearranged code or signal,

the patrol leader notifies the base station when the patrol is in position. The patrol remains in the objective area (but *not* in same positions) observing, recording, and reporting information (including spot reports) until time to move to the PZ or other objective area.

g. Extraction.

(1) Voluntary (upon completion of mission). The patrol moves to vicinity of PZ and observes PZ to determine situation. The patrol leader contacts the command and control ship, advises the aviation mission commander and LRRP platoon leader as to the apparent ground situation. The aviation mission commander orders pick-up ship to extract the patrol, leads aviation element (minus) to orbit point. The pick-up ship lands, patrol loads quickly, ship lifts off and rejoins aviation element at orbit point. Then the LRRP and aviation element return to base, LRRP platoon leader gives SITREP to base station enroute.

(2) Involuntary (due to enemy pressure). The patrol leader contacts base station and requests emergency extraction. The controlling headquarters initiates contingency plans for emergency extraction. The extraction force proceeds to PZ (or alternate PZ if primary PZ is compromised). The aviation mission commander directs the emergency extraction, to include the use of armed helicopters to suppress or destroy enemy resistance. If priorities permit, a FAC will accompany the extraction force to direct tactical air support missions and other available fire support.

h. Return to Controlling Headquarters Base. Upon completion of extraction and return to the controlling headquarters base, the aviation element is released unless otherwise specified.

5-5. Post Mission Activities

a. Debriefing. The LRRP platoon leader and patrol report to the LRRP company operations officer or G2/S2 debriefer (as directed in patrol order or SOP). Debriefing is conducted using patrol report format (FM 21-75). The debriefer prepares final copies of patrol report for distribution and submits after-action report, as required, to appropriate agencies.

b. Maintenance of Equipment. The patrol leader supervises equipment turn-in, maintenance,

and care and cleaning of patrol weapons and equipment. The platoon leader specifies training, preparation for other mission(s), or compensatory time. Compensatory time, or stand-down time, provides for necessary rest to insure a continued high state of morale, health, and effectiveness of LRRP personnel. The LRRP company commander, platoon leader, and patrol leader continue preparation, planning, supervision, inspections, and follow-up actions to insure the continuance of a high state of LRRP operational readiness.

5-6. Combat Support

a. General. The controlling headquarters is responsible for providing combat support to committed patrols. Missions, concepts, organization, and operations of artillery, engineer, intelligence, signal, Army aviation, and tactical air support in stability operations are discussed in FM 30-31, FM 31-16, and FM 31-23.

b. Artillery and Naval Gunfire. The use of artillery in support of the LRRP will depend primarily upon the nature of the patrol's mission. In any event, fire support planning must allow for response to patrol requests throughout the controlling headquarters' radius of operations. This may require establishment of mission priorities and firing position displacement procedures. Also, it will likely entail being prepared to fire in all directions. Fire support planning and coordination should also consider the use of naval gunfire when the patrol is to be operating within range of available naval gunfire weapons. All patrol members must be familiar with the capabilities and limitations of their support artillery and naval gunfire weapons as well as methods of requesting and adjusting these indirect fires.

c. Signal. As in limited and general war, rapid, reliable communication is essential to the conduct of LRRP operations in a stability operations environment. Base stations will be located as far forward as the enemy and friendly situations permit, either in forward operating bases (FOB), or in base camps on the periphery of patrol AO. Signal requirements beyond the capability of the LRRP unit will be coordinated by the controlling headquarters signal officer.

d. Army Aviation. The conduct of LRRP operations in a stability operations environment will rely heavily upon Army aviation for a variety of combat support tasks. These include:

- (1) Aerial reconnaissance, surveillance, and target acquisition.
- (2) Command and control.
- (3) Patrol insertion and extraction.
- (4) Armed helicopter support.
- (5) Airlift for reaction forces.
- (6) Emergency resupply.
- (7) Medical evacuation.
- (8) Radio relay.

e. Tactical Air Support. Tactical air support will be coordinated by the controlling headquarters fire support coordinator (FSCoord) and the forward air controller (FAC). Contingency plans for emergency extraction should include the use of tactical air support.

5-7. Combat Service Support

The combat service support considerations listed in chapter 3 also apply generally to stability operations. The primary differences are the type and degree of combat service support available, and the need for special support arrangements by the controlling headquarters due to the shifting of units to meet changing tactical requirements.

5-8. Security

Stability operations present special security problems. In addition to the security measures listed in chapter 3, care must be taken to insure that host country and other allied forces are provided information pertaining to LRRP operations only on a strict need-to-know basis. Furthermore, indigenous personnel working in sensitive areas, regardless of their capacity (e.g., maids, drivers, interpreters, translators, and clerks), must be carefully screened and observed to avoid enemy exploitation of these sources to gain information.

5-9. Provisional LRRP

a. General. The conduct of stability operations (particularly in the early stages) may create LRRP mission requirements prior to the introduction of organic TOE and MTOE LRRP companies into the friendly order of battle.

Consideration should be given to assigning these LRRP missions to other resources, such as special forces units, if available. If the situation warrants, provisional LRRP units may be formed within the TOE of divisions and separate brigades. The decision to organize, equip, train, and employ provisional LRRP is a command prerogative. The commander charged with making this decision should carefully consider the advantages and disadvantages of forming provisional LRRP in light of their anticipated contribution to the accomplishment of his units's overall mission assignments.

b. Responsibilities. Once the decision has been made to form provisional LRRP units, command and staff relationship must be confirmed so that responsibilities are clearly delineated for all phases of LRRP activities to include—

- (1) Identifying and recruiting patrol leaders and members.
- (2) Providing special equipment and logistical support.
- (3) Establishing programs of instruction for LRRP operational readiness training.
- (4) Planning, preparing, and conducting LRRP operations.
- (5) Other actions necessary for support of LRRP operations.

c. Organization. Individual patrols should consist of at least one patrol leader, two radio operators, and one scout observer. The number and composition of provisional LRRP in each division or separate brigade will vary with mission requirements and the desires of the commander.

d. Equipment. Special equipment requirements must be identified and made available either through normal supply channels or from designated organic or supporting units. Equipment estimates and requests should reflect the minimum amount required for mission accomplishment. This will preclude burdening LRRP unnecessarily and stripping other combat units of essential items.

e. Employment. The employment of provisional patrols must be in consonance with the requirements of the tactical situation. Patrol actions are designed to complement other operations and contribute to the success of the major unit's mission.

APPENDIX A

REFERENCES

FM 1--15	Divisional Aviation Battalion and Group.
FM 1-100	Army Aviation Utilization.
FM 3-10	Employment of Chemical and Biological Agents.
FM 3-12	Operational Aspects of Radiological Defense.
FM 5-36	Route Reconnaissance and Classification.
FM 7-30	Infantry, Airborne, and Mechanized Division Brigades.
FM 17-30	The Armored Division Brigade.
FM 17-36	Divisional Armored and Air Cavalry Units.
FM 17-95	The Armored Cavalry Regiment.
FM 21-20	Physical Training.
FM 21-26	Map Reading.
FM 21-40	Chemical, Biological, Radiological and Nuclear Defense.
FM 21-50	Ranger Training and Ranger Operations.
FM 21-75	Combat Training of the Individual Soldier and Patrolling.
(S) FM 21-77	Joint World Wide Evasion and Escape Manual (U).
FM 24-1	Tactical Communications Doctrine.
FM 24-16	Signal Orders, Records and Reports.
FM 24-18	Field Radio Techniques.
FM 24-20	Field Wire and Field Cable Techniques.
FM 30-5	Combat Intelligence.
FM 30-9	Military Intelligence Battalion Field Army.
FM 30-10	Terrain Intelligence.
FM 30-16	Technical Intelligence.
FM 30-20	Aerial Surveillance—Reconnaissance, Field Army.
FM 30-31	Stability Operations—Intelligence (U).
FM 31-16	Counter guerrilla Operations.
FM 31-20	Special Forces Operational Techniques.
FM 31-21	Special Forces Operations.
FM 31-23	Stability Operations, US Army Doctrine.
FM 31-25	Desert Operations.
FM 31-30	Jungle Training and Operations.
FM 31-36	Night Operations.
FM 31-60	River Crossing Operations.
FM 31-70	Basic Cold Weather Manual.

FM 31-71	Northern Operations.
FM 31-72	Mountain Operations.
FM 33-1	Psychological Operations, US Army Doctrine.
FM 57-1	US Army/US Air Force Doctrine for Airborne Operations.
FM 57-35	Airmobile Operations.
FM 57-38	Pathfinder Operations.
FM 61-100	The Division.
FM 100-5	Operations of Army forces in the Field.
FM 101-5	Staff Officers Field Manual-Staff Organization and Procedure.
FM 101-10-1	Staff Officers Field Manual-Organization, Technical and Logistical Data, Unclassified Data.
FM 101-31-1	Staff Officers Field Manual-Nuclear Weapons Employment.
TOE 7-157	Long Range Reconnaissance Patrol Company.
TM 57-210	Air Movement of Troops and Equipment.
TM 57-220	Technical Training of Parachutists.
AR 320-5	Dictionary of United States Army Terms.
AR 320-50	Authorized Abbreviations and Brevity Codes.
(C) AR 380-52	Codes, Non-Machine Ciphers, and Authentication Systems (U).
JCS Pub 1	Dictionary of United States Military Terms for Joint Usage.

APPENDIX B

PATROL STEPS

(Consider all; complete as required; order may vary)

1. Study the Mission

a. Type: (Reconnaissance) (Surveillance) (Target Acquisition).

b. Identify essential tasks to be accomplished in executing the mission.

2. Plan Use of Time

a. Make mental or written schedule for accomplishing required patrol actions.

b. Use reverse planning technique.

3. Study Terrain and Situation

a. Terrain. Using map and aerial photos, analyze for cover, concealment, observation, fields of fire, obstacles, key terrain features, avenues of approach, and withdrawal routes.

b. Situation. Study strengths, locations, dispositions, and capabilities of both friendly and enemy forces that may affect patrol's mission.

4. Make Tentative Plan

a. Based on analysis of mission, terrain, and situation.

b. Preliminary concept of operation.

5. Organize the Patrol

a. Determine primary, secondary tasks for patrol members and any attachments (linguist, guide, tracker teams, etc.).

b. Select equipment (routine, special).

c. Decide weapons and ammunition to be carried (normally covered by SOP).

6. Issue Warning Order

7. Coordinate (Continuous throughout)

a. Planning.

b. Conduct.

8. Reconnoiter

a. If possible, conduct aerial reconnaissance to confirm, clarify, and supplement information gained from maps and other sources.

b. Make ground reconnaissance if time and circumstance permit (check friendly coordination points, observe for routes, danger areas and obstacles).

9. Complete Detailed Plan

To be incorporated into paragraphs 3, 4, and 5 of the patrol order.

10. Issue Patrol Order

a. Standard operation order sequence, shortened and simplified to fit patrol situation.

b. Use visual aids (terrain models, blackboards, sand tables) if available. If not, improvise to assure complete understanding.

11. Supervise (throughout), Inspect, Rehearse

12. Execute Mission

APPENDIX C

LRRP SOP

-
1. Routine, recurring procedures may be standardized by SOP, thus eliminating the need for lengthy recitation of these items in patrol order.
 2. The format below may be used to establish patrol SOP. Modification to fit existing needs is encouraged.
 - a. *Duties and responsibilities of patrol members.*
 - (1) Patrol leader (assistant patrol leader).
 - (2) Radio operators.
 - (3) Scout observer.
 - b. *Uniform.*
 - (1) Standard patrol uniform.
 - (2) Modifications dictated by mission, climate, or other factors (listed as "patrol uniform *plus* . . . patrol uniform *minus* . . .").
 - c. *Weapons.*
 - (1) Individual.
 - (2) Special.
 - (3) Preparation of, to include test firing, camouflage, and taping.
 - d. *Equipment.*
 - (1) Standard (Prescribed maximum, minimum loads of ammo, rations, and other equipment; definitive instructions on who carries what equipment, where located on person).
 - (2) Special
 - e. *Personnel and equipment loading plans.*
 - (1) Airborne.
 - (2) Airmobile (fixed, rotary, types).
 - (3) Waterborne.
 - f. *Designation of alternate leaders, key men.*
 - (1) Assistant patrol leader.
 - (2) Point man.
 - (3) Compass man (men).
 - (4) Pace man (men).
 - g. *Insertion techniques* (aircraft exit procedures, movement of LZ).
 - h. *Patrol formations* (day, night, open, wooded terrain).

- i. Actions at danger areas.*
 - (1) Open areas.
 - (2) Roads, trails, and streams.
 - (3) Native villages.
 - (4) Enemy positions.
 - (5) Minefields, barbed wire, boobytraps, and other enemy obstacles.
 - j. Actions on enemy contact (immediate action drills).*
 - k. Actions at halts (security, dispersion, observation).*
 - l. Recording and reporting of information.*
 - (1) Format.
 - (2) Communication security, procedures, and schedules.
 - m. Emergency destruction plans.*
 - (1) Radios.
 - (2) SOI extracts, codes, etc.
 - (3) Other designated items.
 - n. Extraction techniques.*
 - (1) Observation and security of PZ.
 - (2) Coordination with aircraft, boat, or other means of transport.
 - o. Debriefings.*
 - (1) Date/time/location of debriefing.
 - (2) Person (s) responsible for debriefing.
 - p. Post-mission activities.*
 - (1) Preparation of detailed after-action reports.
 - (2) Training/maintenance.
 - (3) Compensatory time.
 - (4) Preparation for new missions.
3. Two points concerning the use of patrol SOP should be emphasized.
- a. Avoid setting patterns that, if detected, favor the enemy.*
 - b. A patrol SOP is only as effective as the people who prepare and follow it.*

By Order of the Secretary of the Army:

Official:

W. C. WESTMORELAND,
*General, United States Army,
Chief of Staff.*

KENNETH G. WICKHAM,
*Major General, United States Army,
The Adjutant General.*

Distribution:

To be distributed in accordance with DA Form 12-11 requirements for Infantry Long-Range Patrol Company.

☆ U.S. Government Printing Office: 1968 — 345-545/5563A